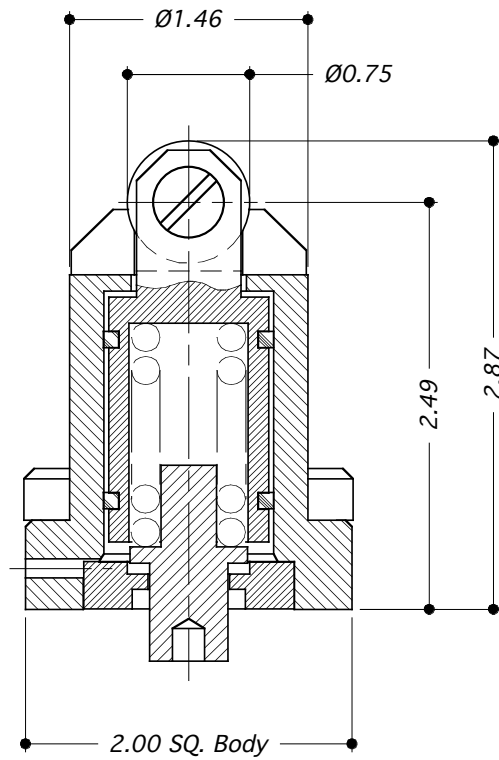


CAM ROLLER ACTUATOR TYPE: C0

- STAINLESS STEEL (316 / 1.4404)
- ALL DIMENSIONS IN INCHES.



TECHNICAL SPECIFICATION		ORDERING EXAMPLE
Actuator Type:	C0	C0
Dry Weight (kg)	0.6	
Working Temperature Range:	-10°C to +120°C	